

AC Centrifugal Blower MB Series

Impeller Diameter $\phi 50$ mm



Operating Ambient Temperature: $-10\sim+60^{\circ}\text{C}$
 Operating Voltage Range: $\pm 10\%$ (Applies to each voltage)
 Materials
 Motor Case: Die cast aluminum
 Casing: Die cast aluminum
 Impeller: Aluminum
 Overheat Protection: Impedance protected
 Bearings: Ball bearings



Specifications (RoHS)

Product Name	Voltage VAC	Frequency Hz	Current A	Input W	Speed r/min	Maximum Air Flow m^3/min	Maximum Static Pressure Pa	Noise Level dB (A)
MB520-D	Single-Phase 200	50	0.09	11	2650	0.22	38	33
	Single-Phase 200	60	0.08	10	3200	0.27	58	38
	Single-Phase 220	60	0.09	12	3300	0.27	60	38
	Single-Phase 230	50	0.10	16	2750	0.23	40	33
	Single-Phase 230	60	0.09	13	3300	0.27	60	38

● Safety standards → Page H-2

Product Line

● Centrifugal Blowers

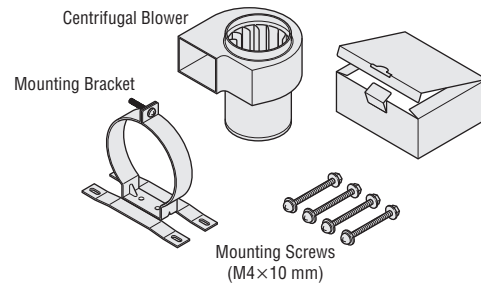
Product Name
MB520-D

The following items are included in each product.
 Centrifugal Blower, Operating Manual

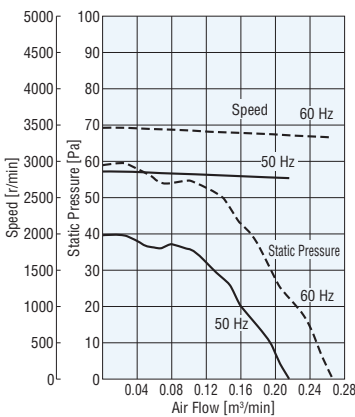
● Fan Kit Products

Product Name
T-MB520-D-A

The following items are included in each kit.

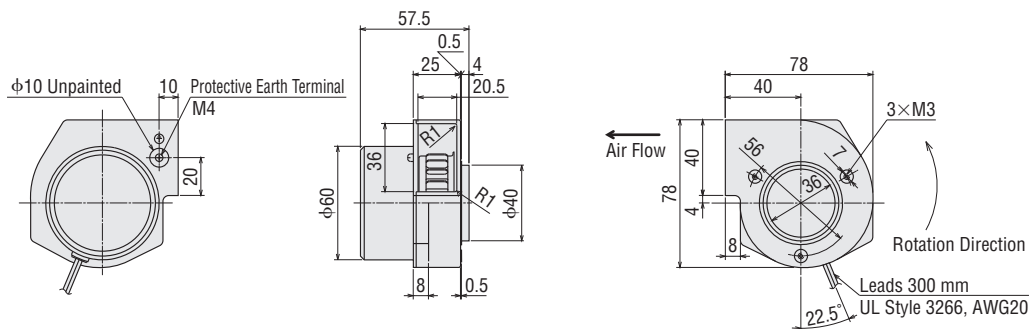


Air Flow – Static Pressure Characteristics

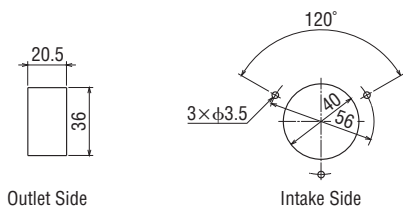


Dimensions (Unit = mm)

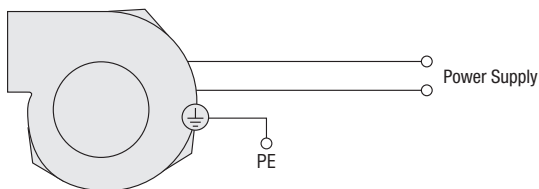
Mass: 0.3 kg



Panel Cut-Out (Unit = mm)



Connection Diagram



Accessories

Product	Product Name	Page
Mounting Bracket	PAS2B	F-128

AC Centrifugal Blower MB Series

Impeller Diameter $\phi 60$ mm



Operating Ambient Temperature: $-10 \sim +60^{\circ}\text{C}$
 Operating Voltage Range: $\pm 10\%$ (Applies to each voltage)
 Materials
 Motor Case: Die cast aluminum
 Casing: Die cast aluminum
 Impeller: Aluminum
 Overheat Protection: Impedance protected
 Bearings: Ball bearings



Specifications (RoHS)

Product Name	Voltage VAC	Frequency Hz	Current A	Input W	Speed r/min	Maximum Air Flow m^3/min	Maximum Static Pressure Pa	Noise Level dB (A)
MB630-D	Single-Phase 200	50	0.08	12.0	2500	0.49	56	38
	Single-Phase 200	60	0.08	11.0	2600	0.50	83	39
	Single-Phase 220	60	0.08	13.0	2900	0.55	83	42
	Single-Phase 230	50	0.09	16.0	2600	0.50	56	39
	Single-Phase 230	60	0.08	14.0	2900	0.55	83	43

● Safety standards → Page H-2

Product Line

● Centrifugal Blowers

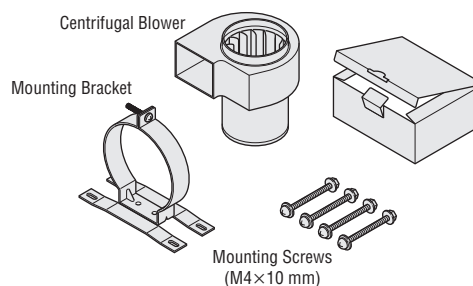
Product Name
MB630-D

The following items are included in each product.
 Centrifugal Blower, Operating Manual

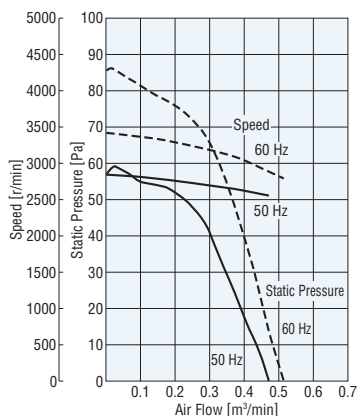
● Fan Kit Products

Product Name
T-MB630-D-A

The following items are included in each kit.



Air Flow – Static Pressure Characteristics



AC Centrifugal Blower MB Series

Impeller Diameter $\phi 80$ mm



Operating Ambient Temperature: $-10 \sim +50^{\circ}\text{C}$
 Operating Voltage Range: $\pm 10\%$ (Applies to each voltage)
 Materials
 Motor Case: Die cast aluminum
 Casing: Die cast aluminum
 Impeller: Aluminum
 Overheat Protection: Built-in thermal protector
 Bearings: Ball bearings

Specifications RoHS



Product Name	Voltage VAC	Frequency Hz	Current A	Input W	Speed r/min	Maximum Air Flow m^3/min	Maximum Static Pressure Pa	Noise Level dB (A)	Capacitor μF
MB840-D	Single-Phase 200	50	0.14	28	2800	1.6	152	55	2.5
	Single-Phase 200	60	0.18	32	3200	1.8	221	58	
	Single-Phase 220	60	0.18	35	3350	1.8	226	59	
	Single-Phase 230	50	0.15	35	2850	1.6	157	55	
	Single-Phase 230	60	0.18	36	3350	1.8	226	59	

● Safety standards → Page H-2

Product Line

● Centrifugal Blowers

Product Name
MB840-D

The following items are included in each product.
 Centrifugal Blower, Capacitor,
 Capacitor Cap, Operating Manual

● Fan Kit Products

◇ With Finger Guard

Product Name
T-MB840-D-GA

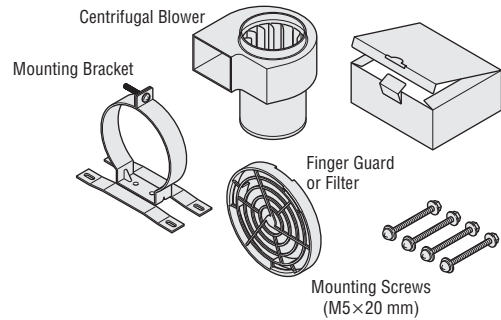
● With Finger Guard, Mounting Bracket,
 Mounting Screws

◇ With Filter

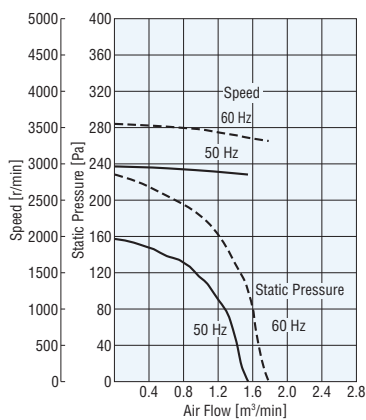
Product Name
T-MB840-D-FA

● With Filter, Mounting Bracket, Mounting Screws

The following items are included in each kit.

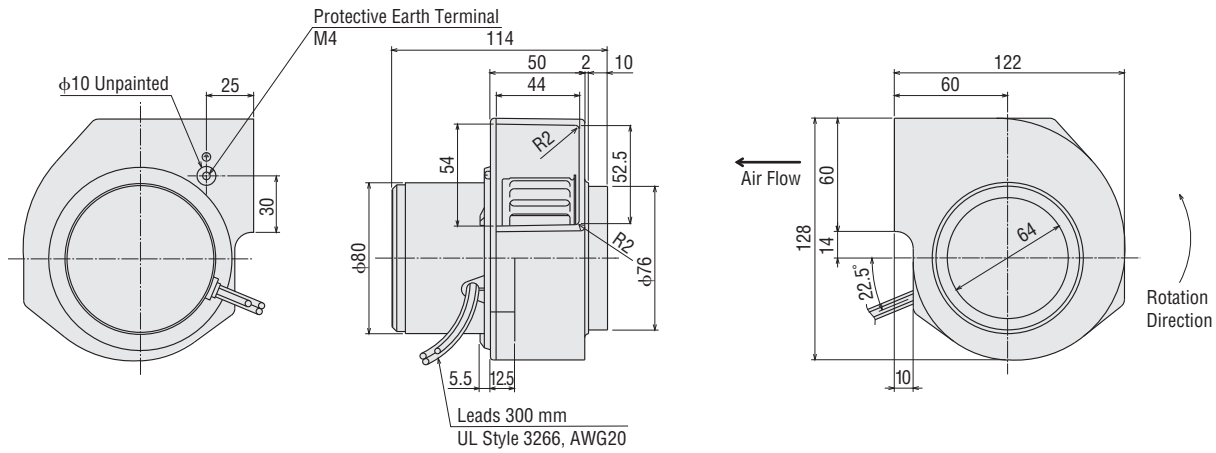


Air Flow – Static Pressure Characteristics

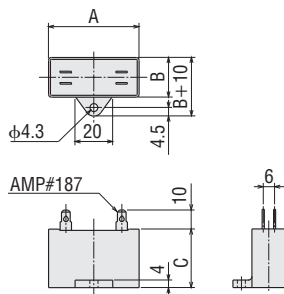


Dimensions (Unit = mm)

Mass: 1.3 kg



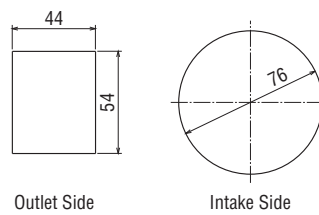
Capacitor (Included)



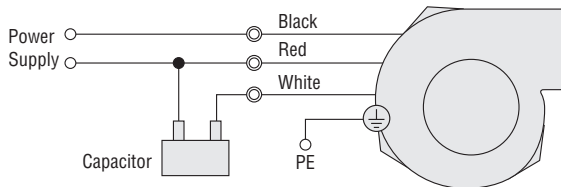
Capacitor Dimensions Table

Product Name	Capacitor Product Name	Capacitor Dimensions (mm)			Mass (g)	Capacitor Cap
		A	B	C		
MB840-D	CH25FAUL	31	17	27	40	Included

Panel Cut-Out (Unit = mm)



Connection Diagrams



● How to connect a capacitor → Page F-133

Accessories

Product	Product Name	Page
Finger Guard	FGB8	F-120
Filter	FLB8	F-122
Mounting Bracket	PAS4B	F-128
Duct Joint	FD8	F-129

- Introduction
- AC Input MU
- AC Input MRS
- DC Input MDS-MD
- DC Input MDA
- DC Input MDE
- AC Input High-Efficiency MBS
- AC Input MB
- DC Input MBD
- AC Input MF
- DC Input MFD
- Accessories
- Installation

AC Centrifugal Blower MB Series

Impeller Diameter ϕ 100 mm



Operating Ambient Temperature: $-10 \sim +50^{\circ}\text{C}$
 Operating Voltage Range: $\pm 10\%$ (Applies to each voltage)
 Materials
 Motor Case: Die cast aluminum
 Casing: Die cast aluminum
 Impeller: Aluminum
 Overheat Protection: Built-in thermal protector
 Bearings: Ball bearings

Specifications RoHS



Product Name	Voltage VAC	Frequency Hz	Current A	Input W	Speed r/min	Maximum Air Flow m^3/min	Maximum Static Pressure Pa	Noise Level dB (A)	Capacitor μF
MB1040-D	Single-Phase 200	50	0.25	40	2750	2.3	206	61	1.2
	Single-Phase 200	60	0.30	50	3100	2.6	304	64	
	Single-Phase 220	60	0.30	55	3200	2.7	304	65	
	Single-Phase 230	50	0.30	50	2750	2.4	206	61	
	Single-Phase 230	60	0.30	55	3250	2.7	304	65	

● Safety standards → Page H-2

Product Line

● Centrifugal Blowers

Product Name
MB1040-D

The following items are included in each product.
 Centrifugal Blower, Capacitor,
 Capacitor Cap, Operating Manual

● Fan Kit Products

◇ With Finger Guard

Product Name
T-MB1040-D-GA

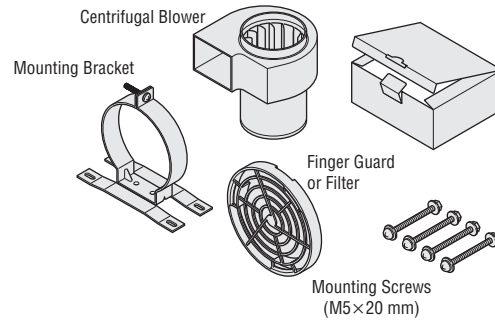
● With Finger Guards, Mounting Bracket,
 Mounting Screws

◇ With Filter

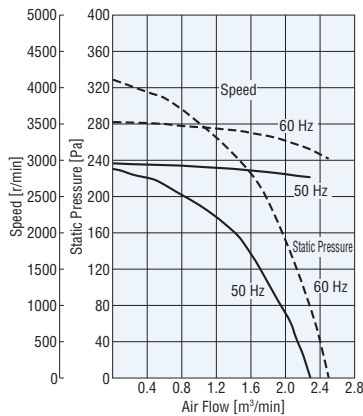
Product Name
T-MB1040-D-FA

● With Filter, Mounting Bracket, Mounting Screws

The following items are included in each kit.

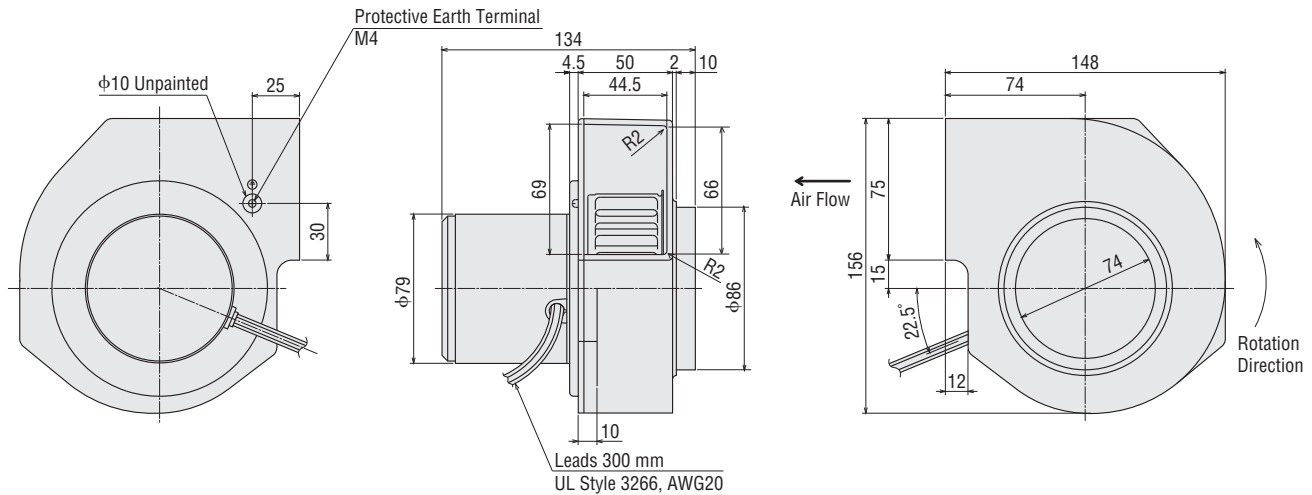


Air Flow – Static Pressure Characteristics

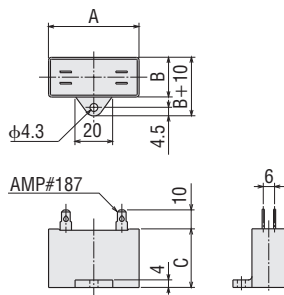


Dimensions (Unit = mm)

Mass: 2 kg



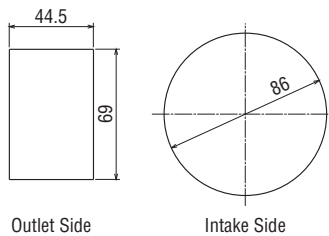
Capacitor (Included)



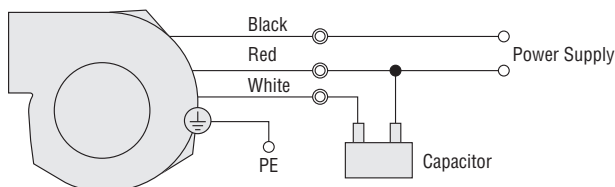
Capacitor Dimensions Table

Product Name	Capacitor Product Name	Capacitor Dimensions (mm)			Mass (g)	Capacitor Cap
		A	B	C		
MB1040-D	CH12BFAUL	37	18	27	30	Included

Panel Cut-Out (Unit = mm)



Connection Diagram



● How to connect a capacitor → Page F-133

Accessories

Product	Product Name	Page
Finger Guard	FGB10	F-120
Filter	FLB10	F-122
Mounting Bracket	PAS4B	F-128
Duct Joint	FD10	F-129

AC Centrifugal Blower MB Series

Impeller Diameter ϕ 120 mm



Operating Ambient Temperature: $-10\sim+50^{\circ}\text{C}$
 Operating Voltage Range: $\pm 10\%$ (Applies to each voltage)
 Materials
 Motor Case: Die cast aluminum
 Casing: Die cast aluminum
 Impeller: Aluminum
 Overheat Protection: Built-in thermal protector
 Bearings: Ball bearings



Specifications (RoHS)

Product Name	Voltage VAC	Frequency Hz	Current A	Input W	Speed r/min	Maximum Air Flow m^3/min	Maximum Static Pressure Pa	Noise Level dB (A)	Capacitor μF
MB1255-D	Single-Phase 200	50	0.6	100	2850	4.4	314	67	2.0
	Single-Phase 200	60	0.8	145	3200	4.9	451	69	
	Single-Phase 220	60	0.8	145	3300	5.1	451	71	
	Single-Phase 230	50	0.6	110	2900	4.5	314	67	
	Single-Phase 230	60	0.8	150	3300	5.2	451	71	

● Safety standards → Page H-2

Product Line

● Centrifugal Blowers

Product Name
MB1255-D

The following items are included in each product.
 Centrifugal Blower, Capacitor,
 Capacitor Cap, Operating Manual

● Fan Kit Products

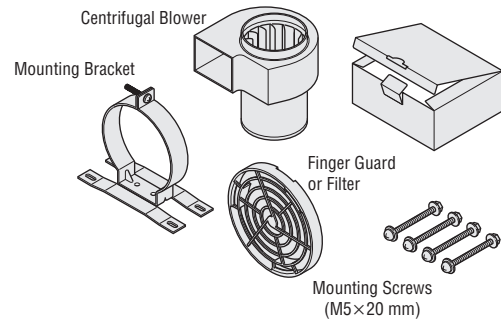
◇ With Finger Guard

Product Name
T-MB1255-D-GA
● With Finger Guard, Mounting Bracket, Mounting Screws

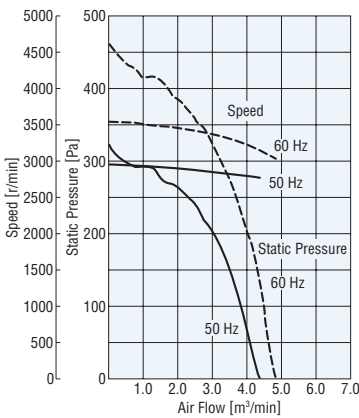
◇ With Filter

Product Name
T-MB1255-D-FA
● With Filter, Mounting Bracket, Mounting Screws

The following items are included in each kit.

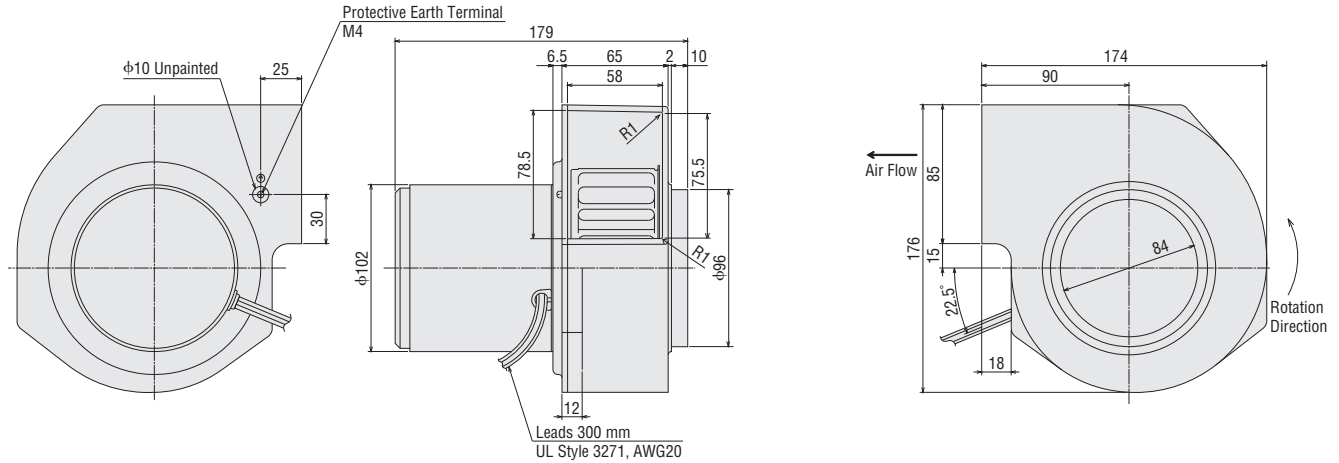


Air Flow – Static Pressure Characteristics

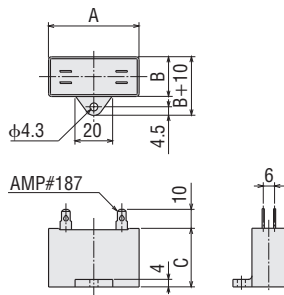


Dimensions (Unit = mm)

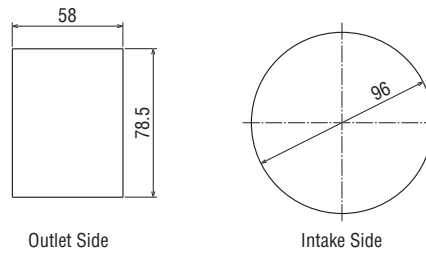
Mass: 4 kg



Capacitor (Included)



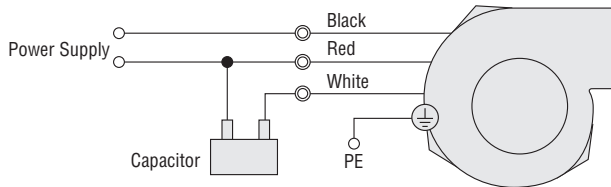
Panel Cut-Out (Unit = mm)



Capacitor Dimensions Table

Product Name	Capacitor Product Name	Capacitor Dimensions (mm)			Mass (g)	Capacitor Cap
		A	B	C		
MB1255-D	CH20BFAUL	48	19	29	40	Included

Connection Diagrams



● How to connect a capacitor → Page F-133

Accessories

Product	Product Name	Page
Finger Guard	FGB12	F-120
Filter	FLB12	F-122
Mounting Bracket	PAS6A	F-128
Duct Joint	FD12	F-129